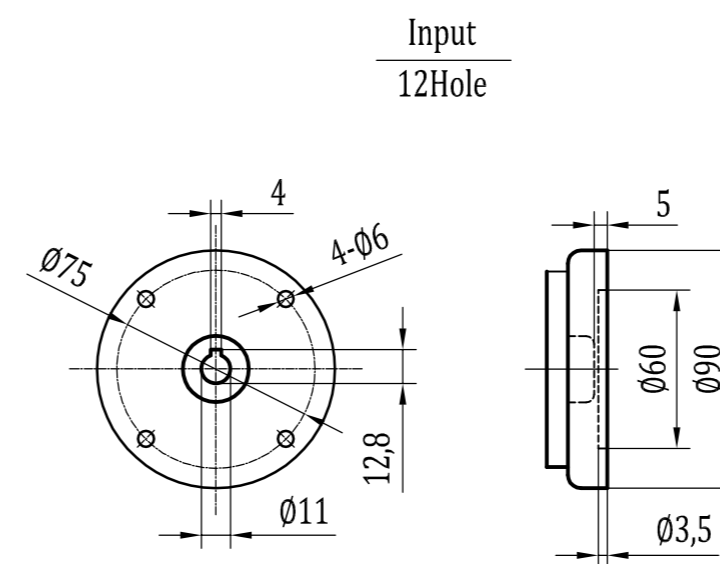
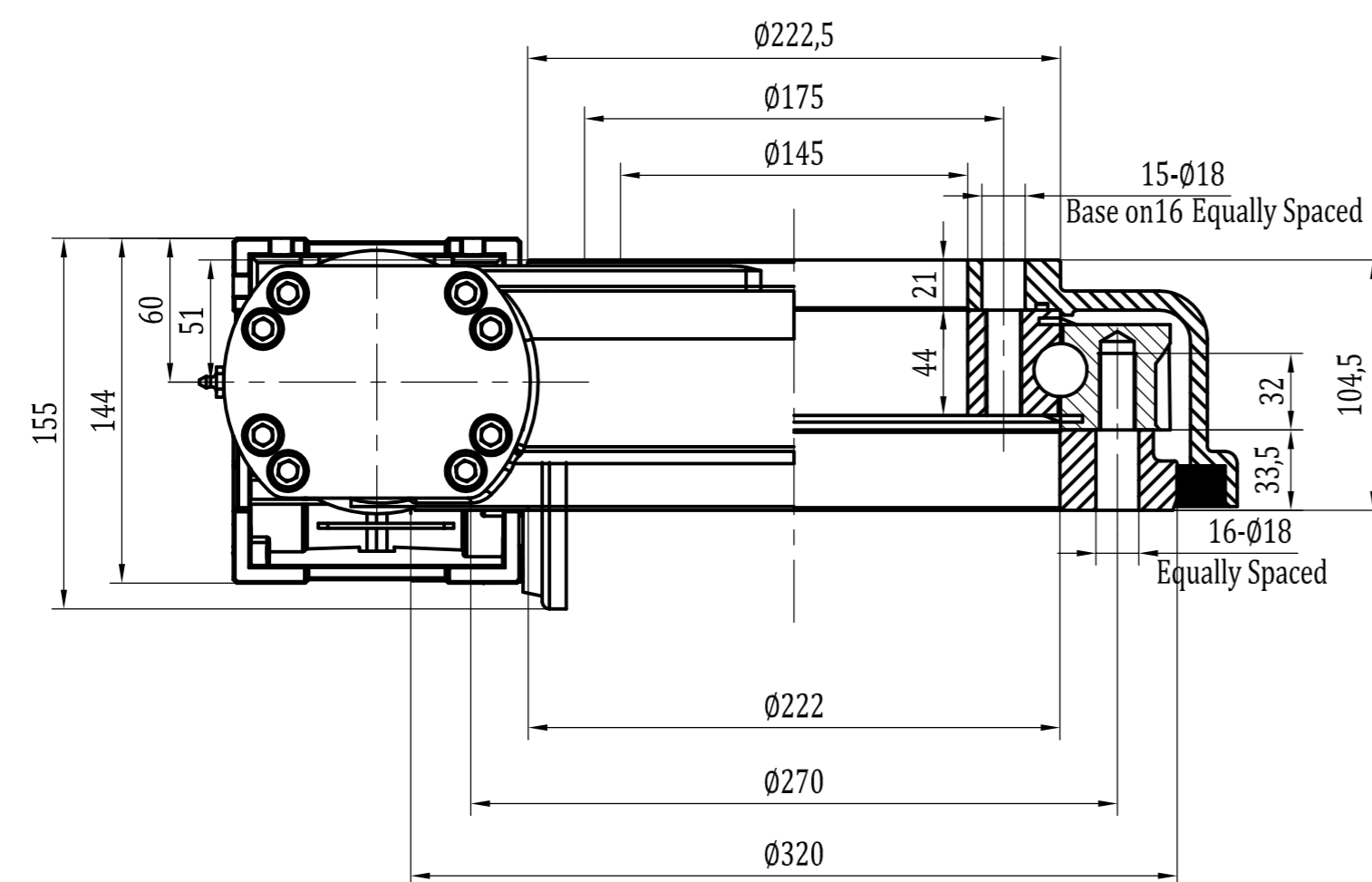
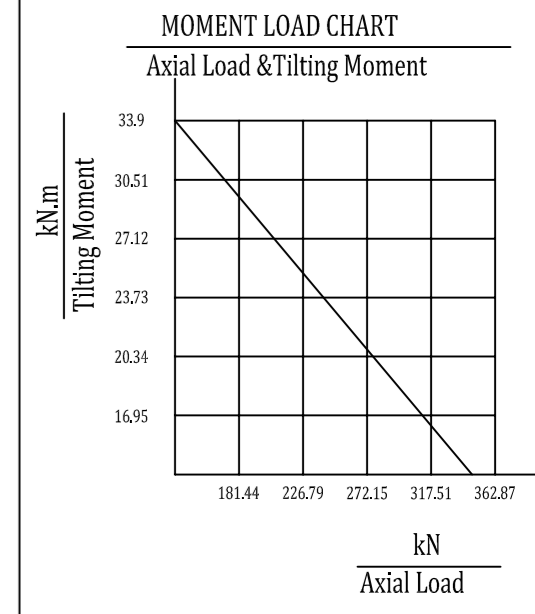



| Slewing Drive Performance Parameters | | |
|--------------------------------------|----------------|---------------------------|
| Rated Output Speed | <3 rpm | |
| Rate Output Torque | 6500N.m | 4794lbf.ft |
| Tilting Moment | 33.9 kN.m | 25x10 ³ lbf.ft |
| Holding Torque | 38.7 kN.m | 29x10 ³ lbf.ft |
| Static Axial Load Rating | 338 kN | 76x10 ³ lbf |
| Static Radial Load Rating | 135 kN | 30x10 ³ lbf |
| Gear Ratio | 61:1 | |
| Precision | ≤0.17° | |
| RV Reducer performance parameters | | |
| Gear ratio | 50:1 | |
| power | 0.06KW~7.5KW | |
| Rated torque | 2.6N·m~2379N·m | |
| Temperature | -30°C≤0≤60°C | |
| Humidity | 90% | |



| REV | DATE | REVISER | REVISER | | |
|--|----------|-------------|--|-------|-------------------|
| DESIGNED BY | 2019/8/1 | Li Ming |  www.coresundrive.com Coresun Drive Equipment Changzhou Co., Ltd. | | |
| CHECKED BY | 2019/8/1 | Rui Wang | | | |
| APPROVED BY | 2019/8/1 | Shane Zhang | | | |
| ALL PROPRIETARY RIGHTS IN THE SUBJECT MATTER HERE OF ARE RESERVED, AND NO PERMISSION IS GRANTED OR TO DISCLOSE REPRODUCE THIS PRINT IN WHOLE OR IN PART, ANY OF THE INFORMATION TO OTHERS. | | | WEIGHT | SCALE | Slewing Drive |
| | | | | 1:3 | |
| SYMBOLS ISO | | | SIZE | A3 | SC9-61-RC-RV-A071 |
| | | | SHEET | 1/1 | |
| | | | | | REV A |